

FICHE D'HOMOLOGATION HOMOLOGATION FORM



COMMISSION INTERNATIONALE
DE KARTING – FIA



X Call Jürgen
FIND FAT ON AUTH

CARBURATEUR / CARBURETTOR

Constructeur	Manufacturer	JÜRGEN HÜBCHEN
Marque	Make	JHC
Modèle	Model	JM3
Catégorie	Category	INTERCONTINENTAL-A INTERCONTINENTAL- A/JUNIOR
Durée de l'homologation	Validity of the homologation	9 YEARS
Nombre de pages	Number of pages	2

La présente Fiche d'Homologation reproduit descriptions, illustrations et dimensions du carburateur au moment de l'homologation CIK-FIA. Le Constructeur a la possibilité de les modifier seulement dans les limites fixées par le règlement CIK-FIA en vigueur.

This Homologation Form reproduces descriptions, illustrations and dimensions of the carburettor at the moment of the CIK-FIA homologation. The Manufacturer may modify them, but only within the limits fixed by the CIK-FIA regulations in force.

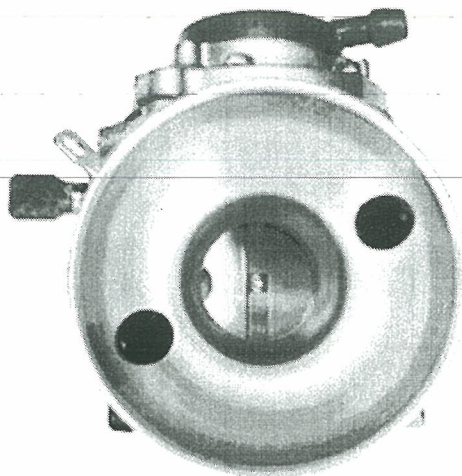


PHOTO CÔTÉ ASPIRATION
PHOTO OF INLET SIDE

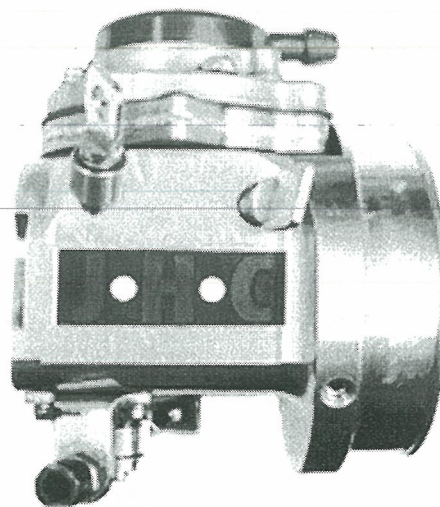


PHOTO CÔTÉ RÉGLAGE
PHOTO OF ADJUSTING SIDE

Signature et tampon de l'ASN
Signature and stamp of the ASN



[Handwritten signature]

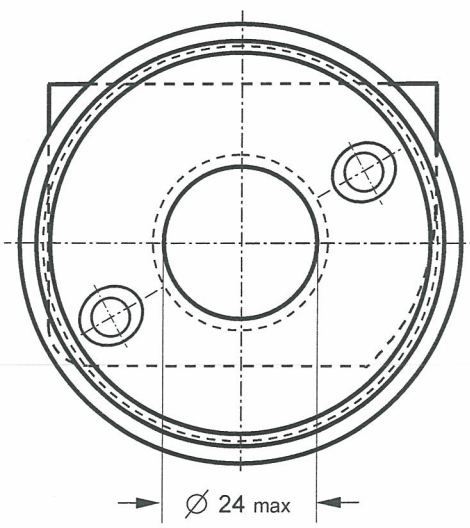
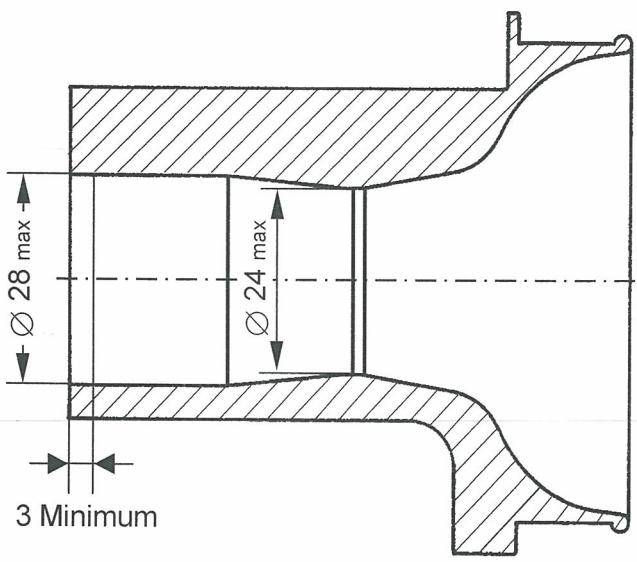
Signature et tampon de la CIK-FIA
Signature and stamp of the CIK-FIA



[Handwritten signature]

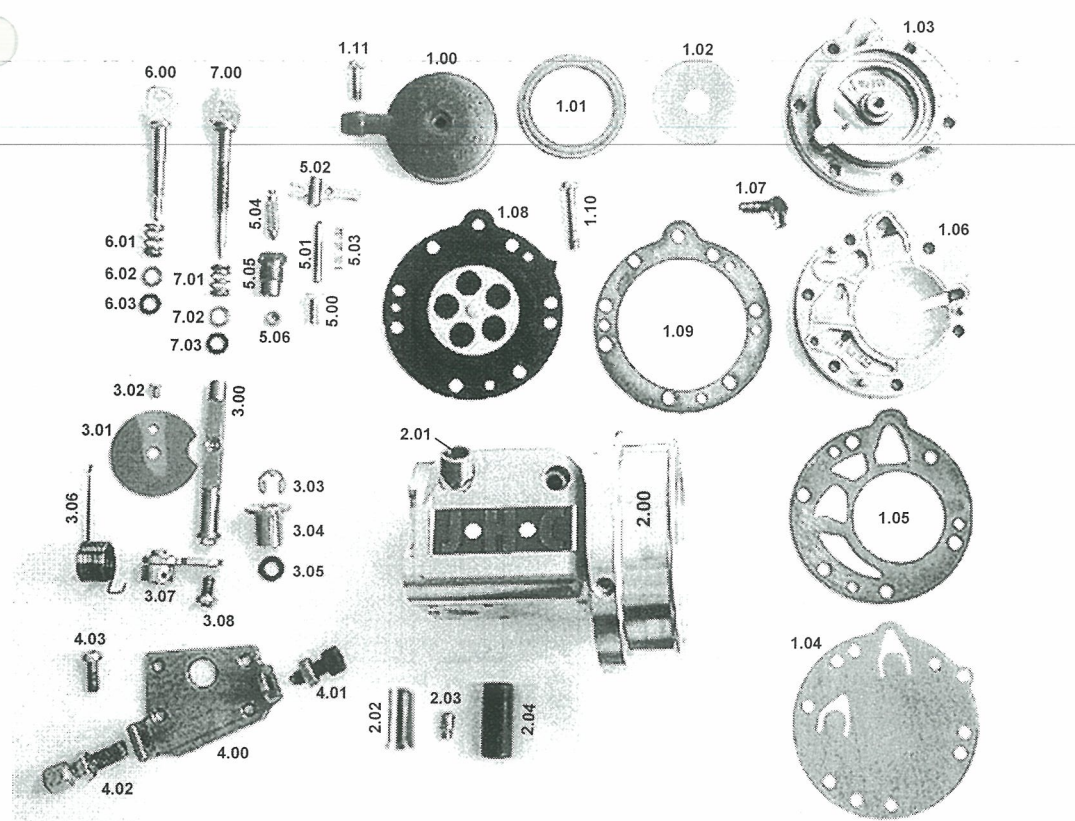
VUE EN SECTION
CONDUIT D'ASPIRATION
INLET PORT SECTION VIEW

VUE DE FACE
CÔTÉ ASPIRATION
INLET SIDE FRONT VIEW



DESCRIPTION DU CARBURATEUR ET
ESQUISSE DES PIÈCES

CARBURETTOR DESCRIPTION AND
SKETCH OF PARTS



spare part list JM3

- 1.00 fuel strainer cover
- 1.01 fuel strainer cover gasket
- 1.02 fuel strainer screen
- 1.03 fuel pump body
- 1.04 fuel pump diaphragm
- 1.05 fuel pump gasket
- 1.06 diaphragm cover
- 1.07 option: pressure puls connector
- 1.08 inlet control diaphragm
- 1.09 diaphragm gasket
- 1.10 pump body screw / washer (6x)
- 1.11 fuel strainer cover screw
- 2.00 carburettor body
- 2.01 L-needle insert
- 2.02 H-needle insert
- 2.03 nut retaining screw (2x)
- 2.04 nut (2x)
- 3.00 throttle shaft
- 3.01 throttle shutter
- 3.02 screw
- 3.03 clip
- 3.04 throttle shaft bearing
- 3.05 o-ring
- 3.06 throttle return spring
- 3.07 throttle lever with nipple
- 3.08 screw with lock washer
- 4.00 shaft bearing plate
- 4.01 idle speed adjusting screw
- 4.02 full load adjusting screw
- 4.03 screw with lock washer (4x)
- 5.00 screw
- 5.01 inlet control lever fulcrum
- 5.02 inlet control lever
- 5.03 inlet control tension spring
- 5.04 inlet control needle
- 5.05 inlet needle case
- 5.06 inlet needle seal
- 6.00 idle mixture screw
- 6.01 idle mixture spring
- 6.02 idle mixture washer
- 6.03 mixture screw packing
- 7.00 high speed mixture screw
- 7.01 high speed mixture spring
- 7.02 high speed mixture washer
- 7.03 mixture screw packing

Copyright JHC by JOMATech / New Homologation of JHC Type JM3