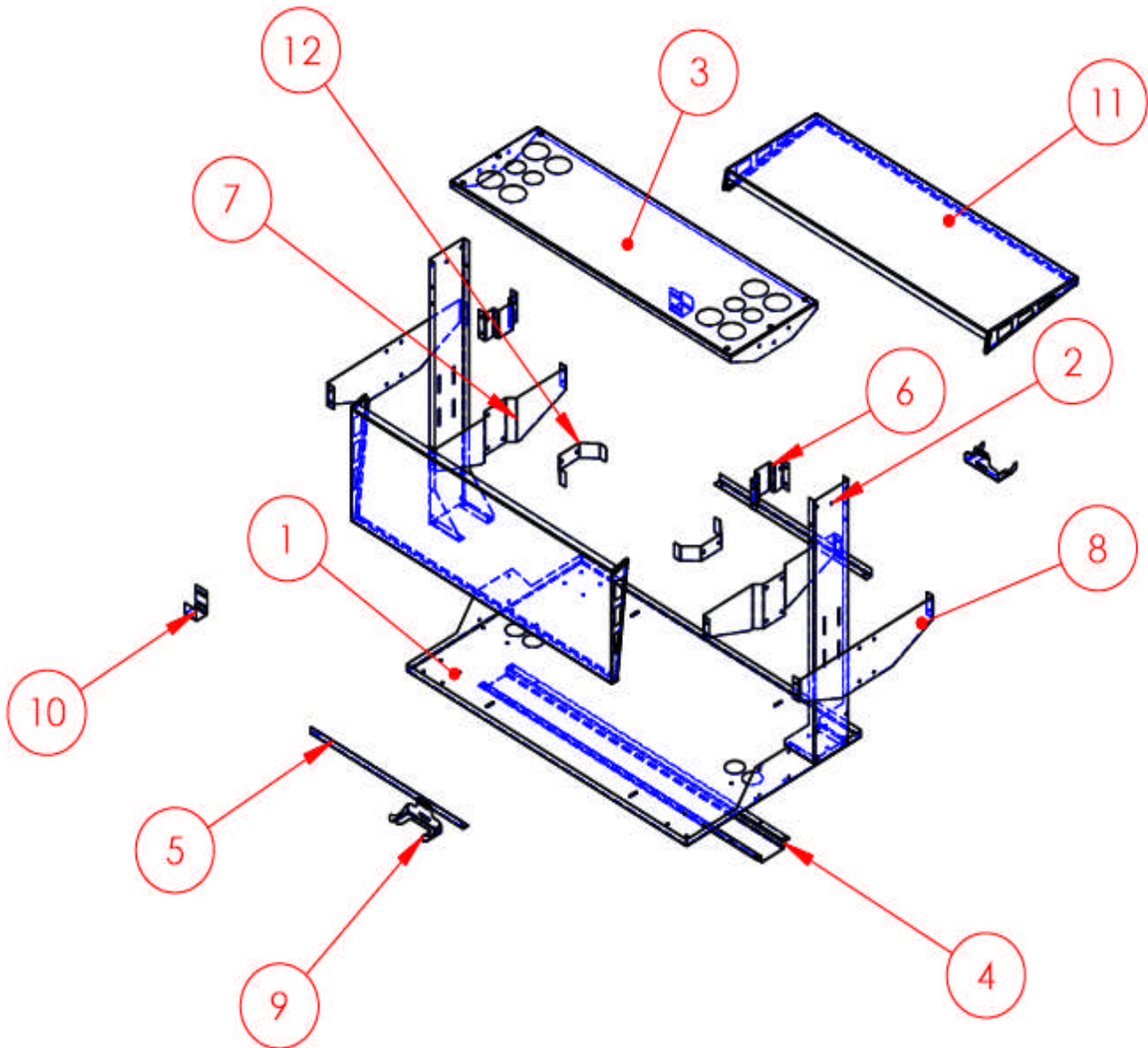


**Explosion Diagram – 2009.V1**



### Reference Table – 2009.V1

REFERENCE	Qty	DESCRIPTON
1	1	BASE
2	2	UPRIGHT
3	1	MAIN TABLE TOP
4	1	N/A
5	2	BUMPER ANGLE BRACKET
6	2	FLIP-TOP MOUNTING BRACKET
11	2	FLIP-TOP WORK BENCH
12	2	FLIP-TOP TOP STOP

*\*Note: Items (7, 8, 9, and 10) are Horizontal Kit Bracket items. This option is available as an add-on, recommended for 'Stacker' style trailers.*